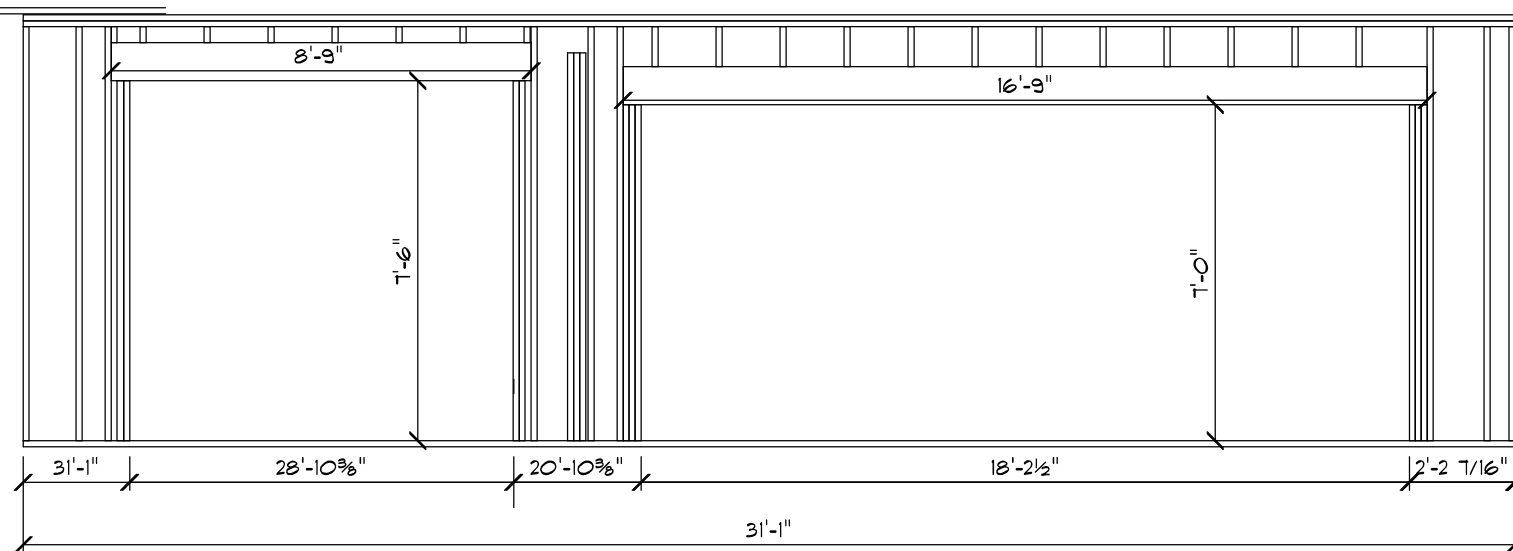


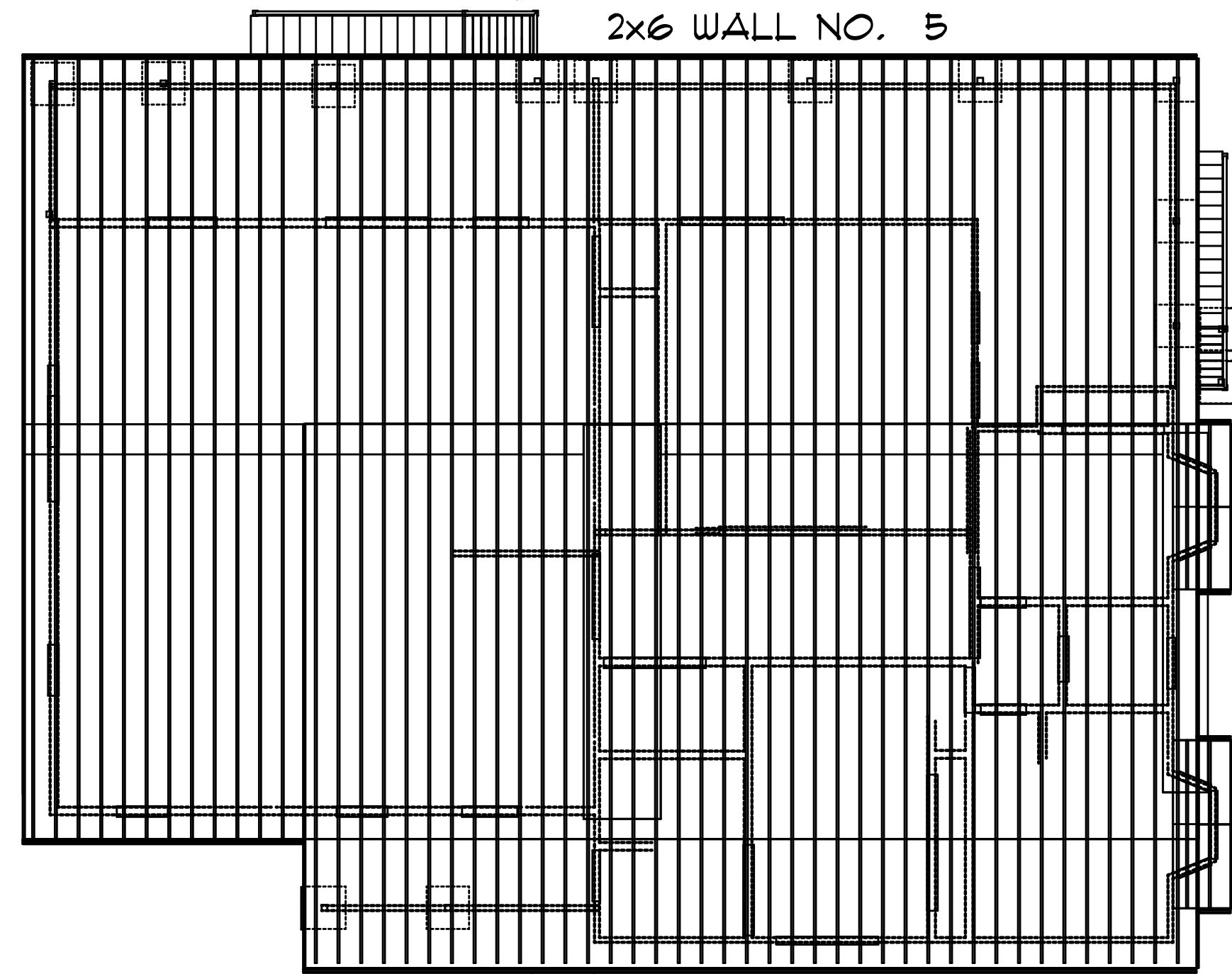
**FLOOR JOIST FRAMING PLAN**

SCALE: 1/8" = 1'-0"

TYPICAL SECOND FLOOR :  
 FINISH FLOOR ON  
 3/4" T&G PLYWOOD SUBFLOOR  
 NAILED & GLUED  
 2x10 FLOOR JOISTS @ 16" o.c. w/  
 2x2 CROSS BRIDGING  
 5/8" CEILING BOARD  
 TAPED & SANDED

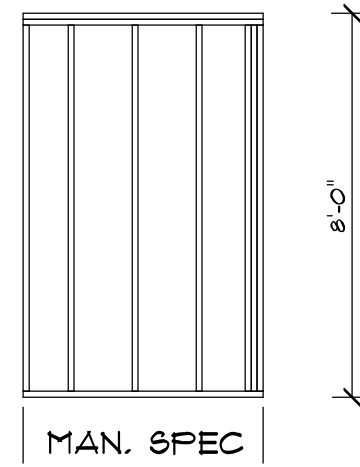


**2x6 WALL NO. 5**

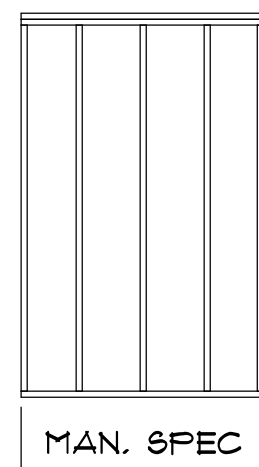


**ROOF FRAMING PLAN**

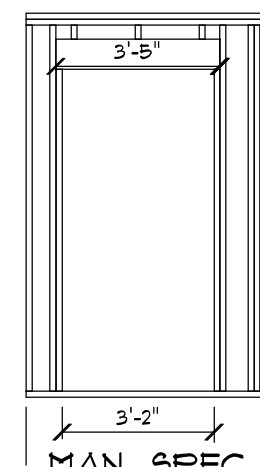
SCALE: 1/8" = 1'-0"



**2x6 WALL NO. 6**

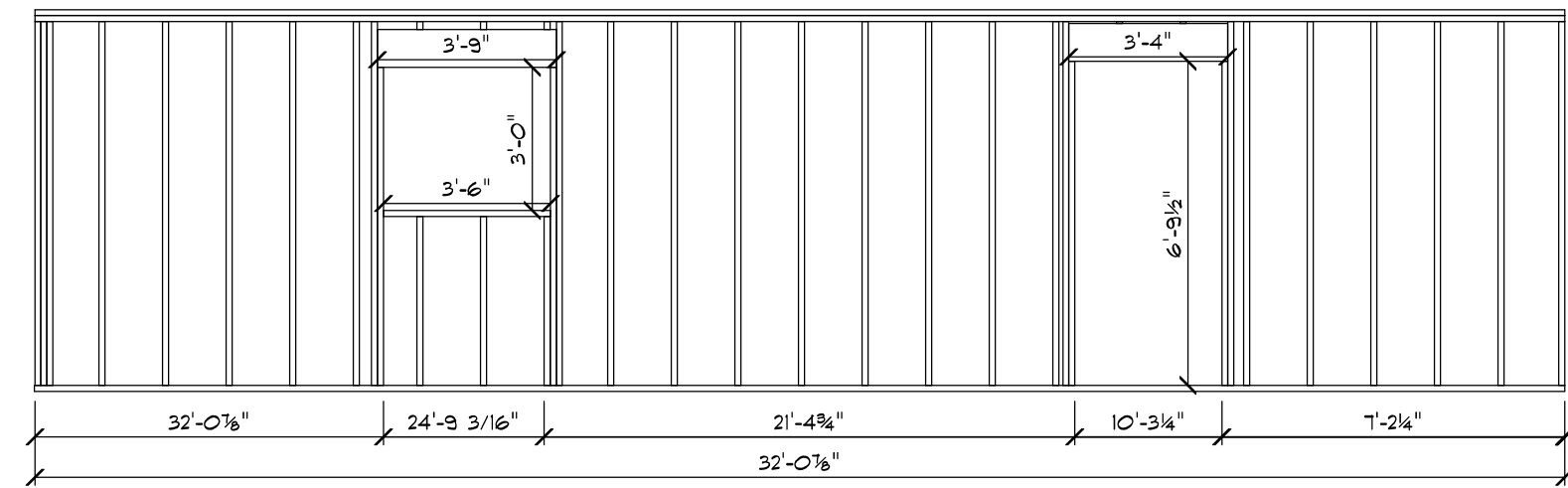


**2x6 WALL NO. 7**



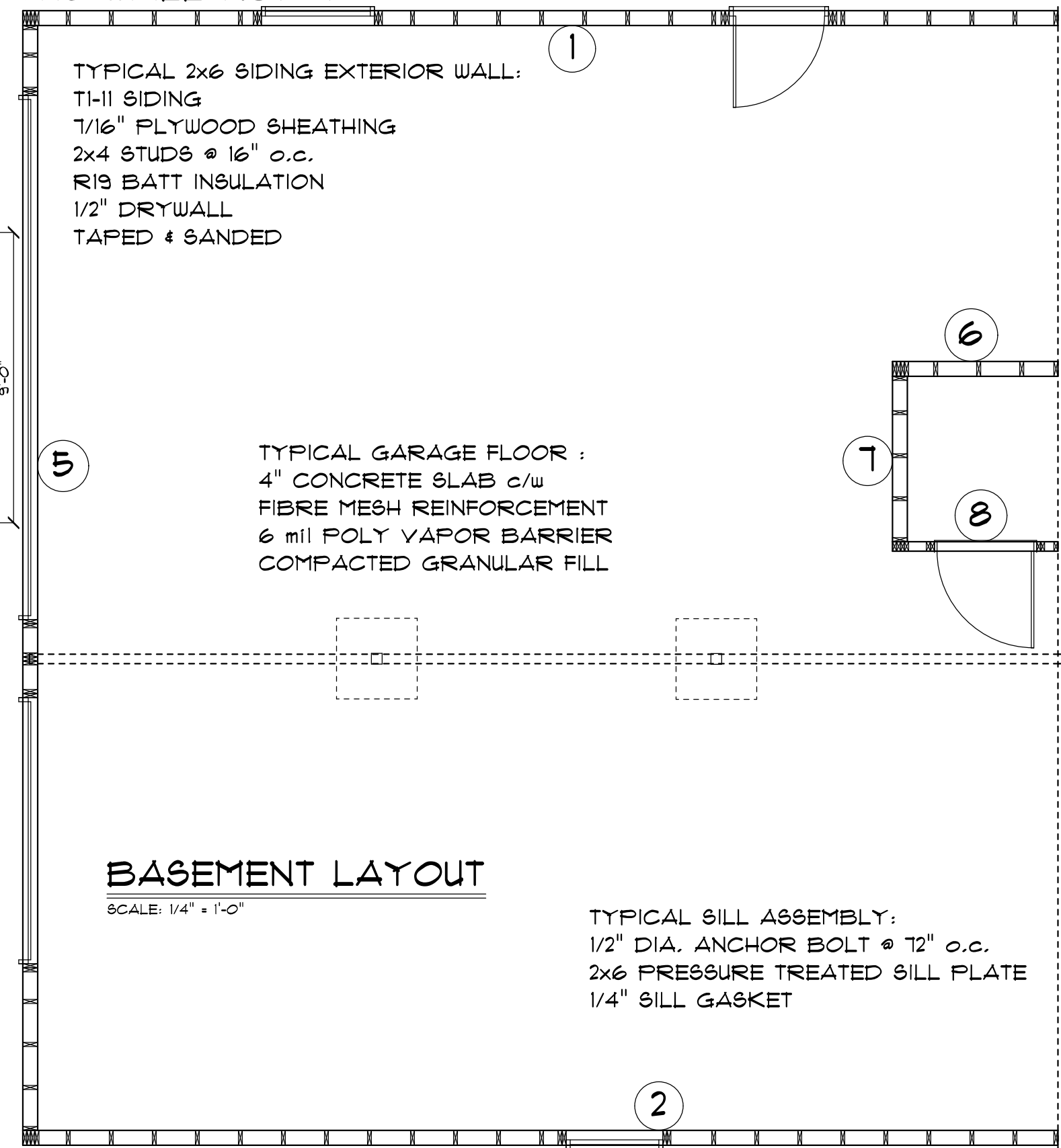
**2x4 WALL NO. 8**

**NOTE: FLOOR JOIST, GIRDERS, AND TRUSS PLAN TO BE PROVIDED BY ENGINEER.**



**2x6 WALL NO. 1**

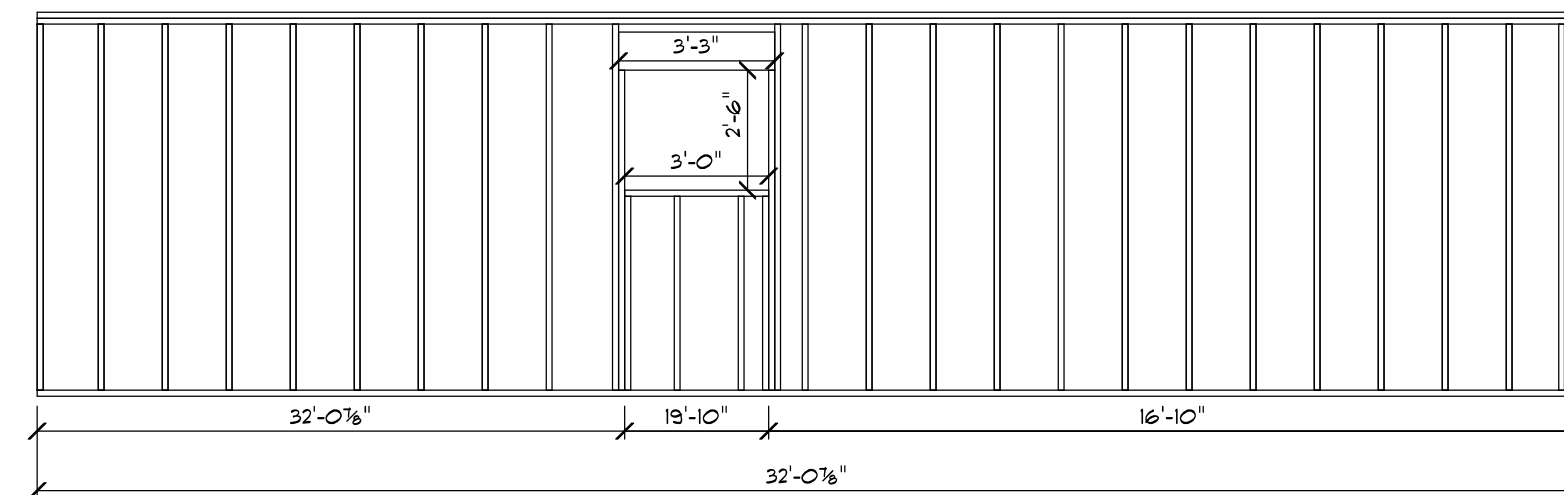
TYPICAL 2x6 SIDING EXTERIOR WALL:  
 T1-11 SIDING  
 7/16" PLYWOOD SHEATHING  
 2x4 STUDS @ 16" o.c.  
 R19 BATT INSULATION  
 1/2" DRYWALL  
 TAPED & SANDED



**BASEMENT LAYOUT**

SCALE: 1/4" = 1'-0"

TYPICAL SILL ASSEMBLY:  
 1/2" DIA. ANCHOR BOLT @ 72" o.c.  
 2x6 PRESSURE TREATED SILL PLATE  
 1/4" SILL GASKET



**2x6 WALL NO. 2**